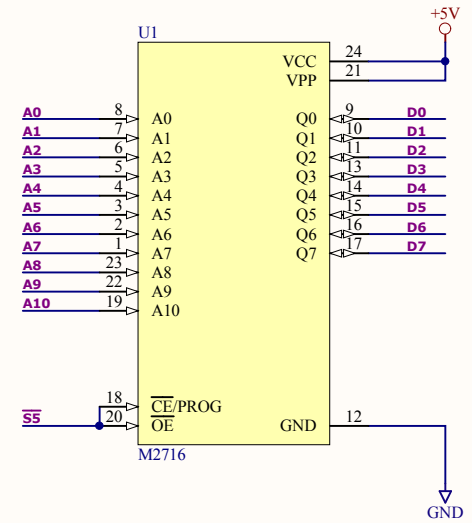


**These three circuits are different solutions for disabling the cartidge!  
Select one proper for You and proper for firmware placed in EPROM!**

**\*\*\* Use ONLY ONE of those circuits! \*\*\***



Title Turbo 2001 v2.1		
Size A4	Number (rev. eng. from real hardware)	Revision 1.1
Date: 2019-01-06	Sheet 1 of 1	
File: F:\projects\...\Turbo2001 v2.1.SchDoc	Drawn By: Seban / Slight	